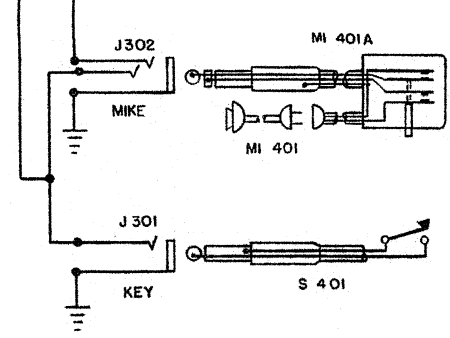
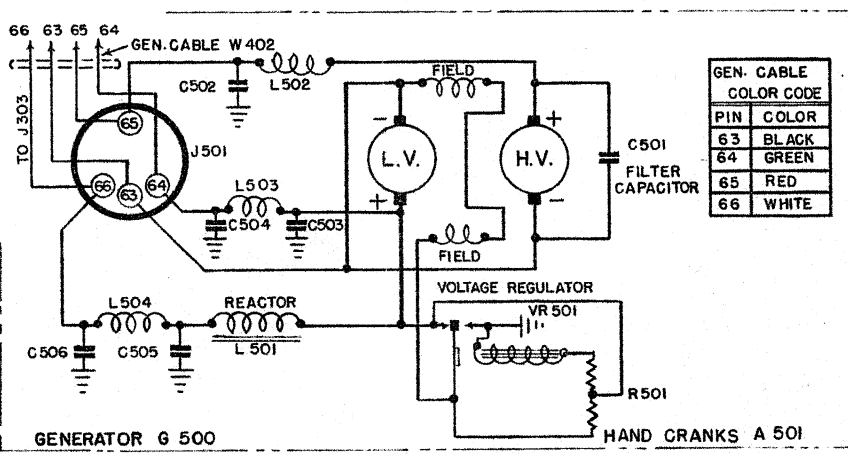
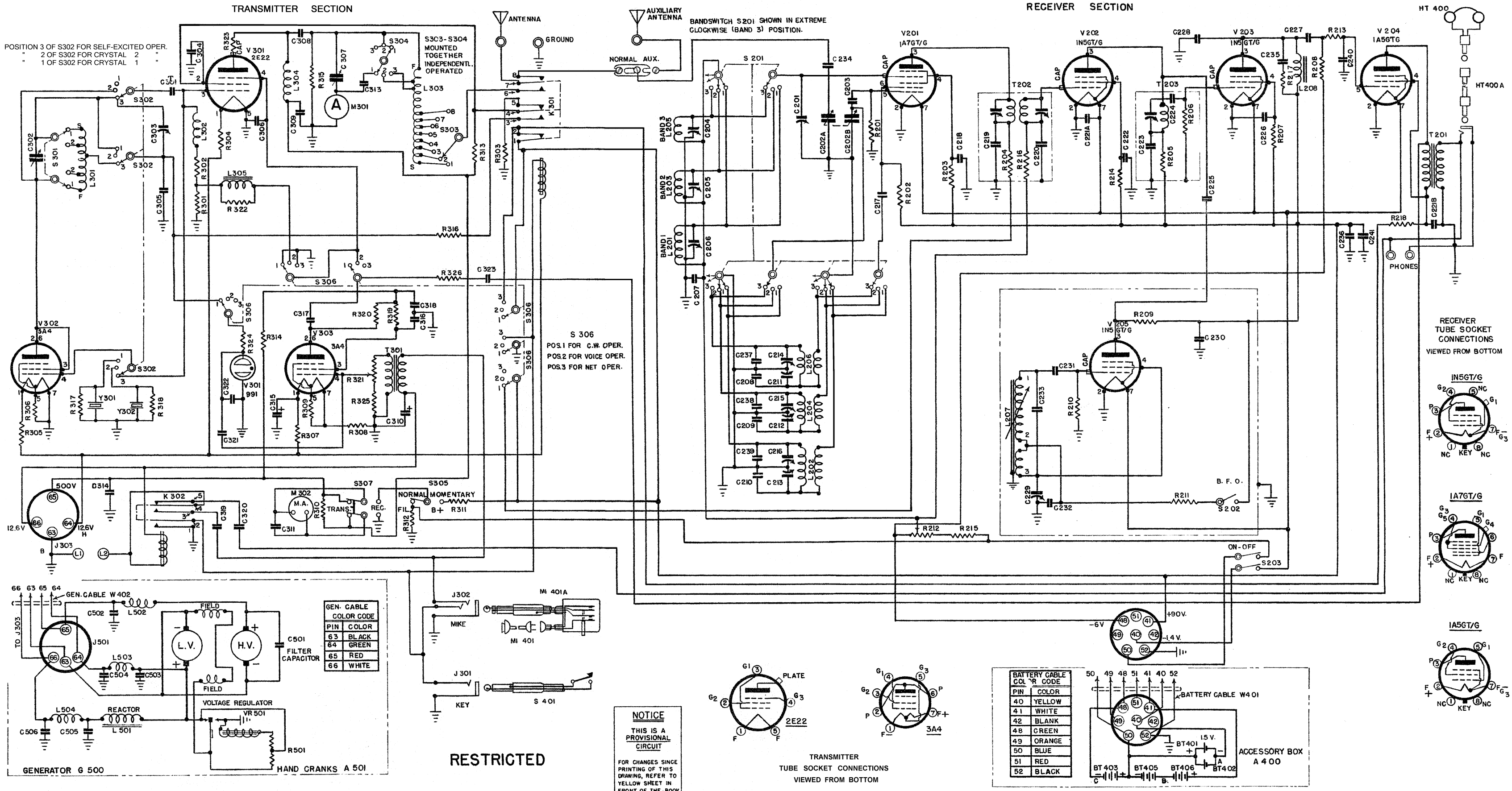


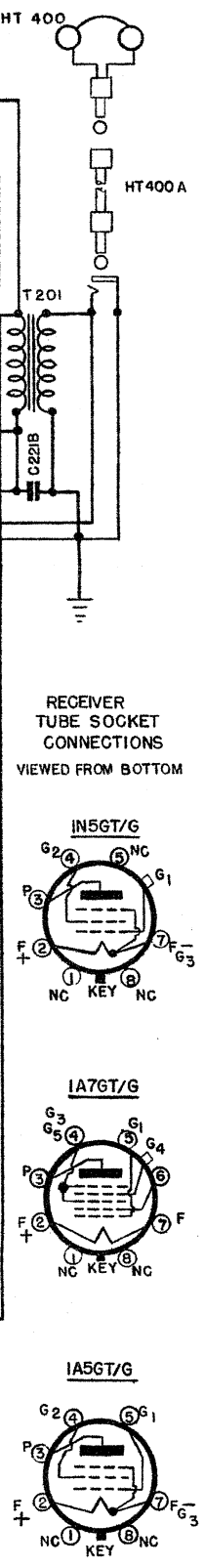
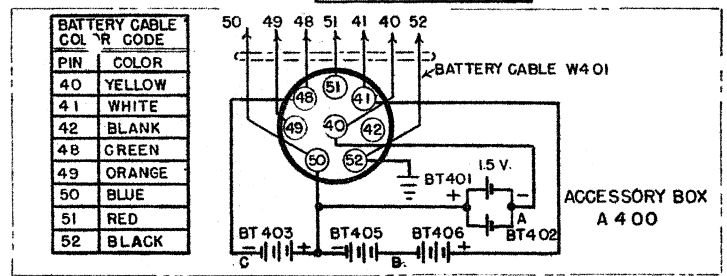
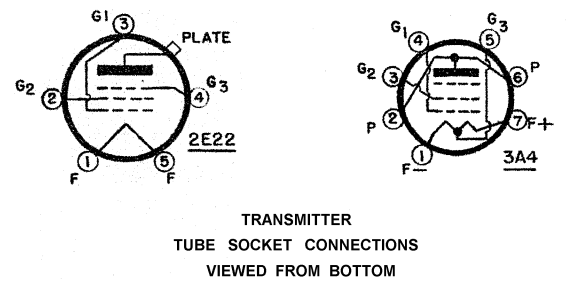
TRANSMITTER SECTION

RECEIVER SECTION

POSITION 3 OF S302 FOR SELF-EXCITED OPER.
 2 OF S302 FOR CRYSTAL 2
 1 OF S302 FOR CRYSTAL 1



NOTICE
 THIS IS A PROVISIONAL CIRCUIT
 FOR CHANGES SINCE PRINTING OF THIS DRAWING, REFER TO YELLOW SHEET IN FRONT OF THE BOOK



RESTRICTED

RESTRICTED

SCHEMATIC DIAGRAM, RADIO TRANSMITTER-RECEIVER UNIT, NAVY TYPE -43060 (TBX-8)

Restored By AC5XP

Fig. 14